

Speed. Confidence. Safety.



**KURTH
ELECTRONIC**

Digital Cable Test and Trace Kit

Test and trace almost any kind of communication wire or cable with this noise-immune, smart pair of electronic testers.

The KE701 kit is made up of the EasyTest 720 digital line test unit and the Probe 310 tracing probe. The light-weight **EasyTest 720** unit performs a number of testing functions in addition to providing powerful tracing tone for use with the Probe. Telephone tests include voltage/service detection with pair polarity, short circuit check and indication of telephone line status -- LEDs quickly show if the line has service, whether the line is busy and whether the line is ringing. Using the RJ45 plug the unit will detect LAN service and even blink the hub activity light to aid in cable ID. The circuits in the EasyTest are designed to tolerate AC power to 400 Vac, so it won't be damaged if it is accidentally connected to power circuits. The **Probe 310** is a sensitive tracing tone receiver that can commonly sense a traced cable at a distance of three feet. The two step sensitivity control allows both localizing of a cable and precise detection of individual wires. The 310 recognizes the 577 Hz signal from the 720 unit or other equipment which means it can be used even when power hum or other noise are strong. A headset jack allows for easy private listening or use in noisy locations. The built-in headlight lets you see important details even in dim light.

Protected to 500 Vac!

Color-correct headlight makes it easy to pinpoint wires in dim light.

Immune to power hum and other common types of interference.

Probe's direct two position volume switch allows selection of cable trace or localized wire detection.

Replaceable fine carbon tip deals precisely with tight spaces.

Universal headset jack.



Tester detects LAN and telephone service. Digital-safe.

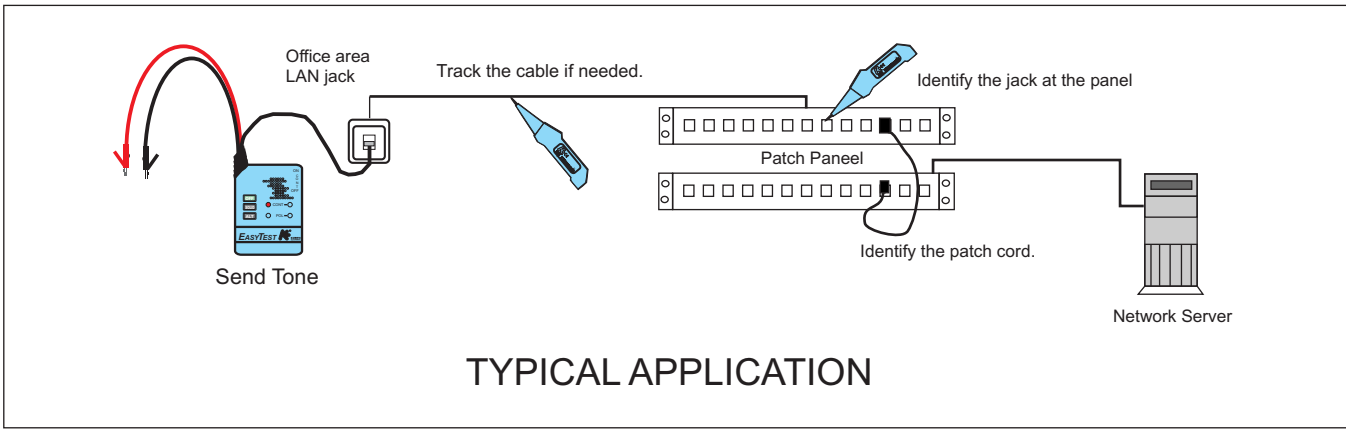
High voltage warning.

Audible and visible short circuit check.

Rj11 plug won't harm Rj45 jacks.

Transmits any of four powerful tracing tones.

KE701 KIT



Specifications

EASYTEST 720

Heavy duty ABS plastic weather-resistant design with silicone rubber control keys and hi-rel switches. Strain-relieved test connections: Two 10-inch (25 cm) leads with replaceable alligator clips, and cords with snag-proof modular RJ11 and RJ45 plugs.

Four selectable precise trace tones generated: 577 Hz, 2600 Hz, 880/1000 Hz or 1900/2600 Hz.

Tracing tone power output: +10 dBm (600 Ω), +9 dBm (100 Ω), +7.5 dBm (75 Ω)

Transmit range: typically 10 miles on an open pair.

Low battery indication: 100 ms winks of Tone LED

Power source: one 9V alkaline battery, typical life >100 h.

Constant tone transmit or auto shutoff at 45 minutes.

200 ms wink of Tone LED when shutoff is selected.

Dimensions: 2.68 x 3.75 x 1.0 inches

Weight: 2.4 ounces (without battery)

PROBE 310

Heavy duty ABS plastic weather-resistant design with silicone rubber control keys and hi-rel switches.

Headlight with true-color white LED.

LED signal strength indicator: green for 577 Hz signals.

Power source: one 9V alkaline battery, typical life >100 h.

Dimensions: 8.7 x 1.57/1.34 x 1.0 inches

Product design and specifications subject to change without notice.

Part Number	Description
0.49562	KE701, Digital Cable Test and Trace Kit
0.49600	Earpiece for PE310 Probe
0.57773-VPE	Three Replacement Tips

Kurth Electronic Inc. P.O. Box 1377 Sparta, NJ 07871
 Phone 877 234-7081 Fax 877 234-7080
www.kurthelectronic.com sales@kurthelectronic.com

Copyright © 2010 Kurth Electronic KE701 Rev C