

Speed. Confidence. Safety.



**KURTH
ELECTRONIC**

Laser Tracer™ +

Rugged, advanced fiber-optic, Ethernet and copper cable finder and test kit.

The KE801 kit is made up of the KE800 fiber/copper line test unit and the KE310 tracing probe. The rugged, light-weight KE800 test unit is a tool box-ready technician's toner with a built-in red laser visual fault locator (VFL). Advanced **Copper tests** include Ethernet detection, Link Blinking, tone tracing, voltage/service detection with pair polarity, audible short circuit check and indication of telephone line status -- audible and visible indicators make it easy. The copper tracing circuits in the KE800 are designed to tolerate up to 500 V, so it won't be damaged if it is accidentally connected to power circuits.

Fiber tests: the built-in 650 nm Class II laser VFL allows for fiber ID, fiber continuity checking and location of broken fibers inside jacketing. The 2.5 mm UPP ferrule mounted in the case is compatible with most fiber-optic connectors and a 1.25 mm adapter can easily be used for higher-density connectors.

The KE310 is a sensitive copper cable tracing tone receiver that can commonly sense a traced cable at a distance of three feet. The sealed two step sensitivity control can be used with either hand. A headset jack allows for easy private listening or use in noisy locations.



A laser 'flashlight' integrated with a durable LAN test & trace unit, all operating from a single 9 V battery.

2.5 mm
Fiber UPP



Protected to 500 V!

- Color-correct headlight makes it easy to pinpoint wires in dim light.
- Replaceable fine carbon tip reaches into 110 blocks.
- Probe's sealed two position volume switch allows precise location of tracing tones.
- Crush- and water-resistant case.
- Headset jack.



KE800 Tester

Tester can be used for telephone, coax, LAN or fiber-optic cables.

Traces Cat 5/6 cable.

Visible and audible short circuit check.

Built-in F-type coax connector.

Transmits Link Blink, tracing tone and visible fiber signals.

NEW!

KE310 Probe

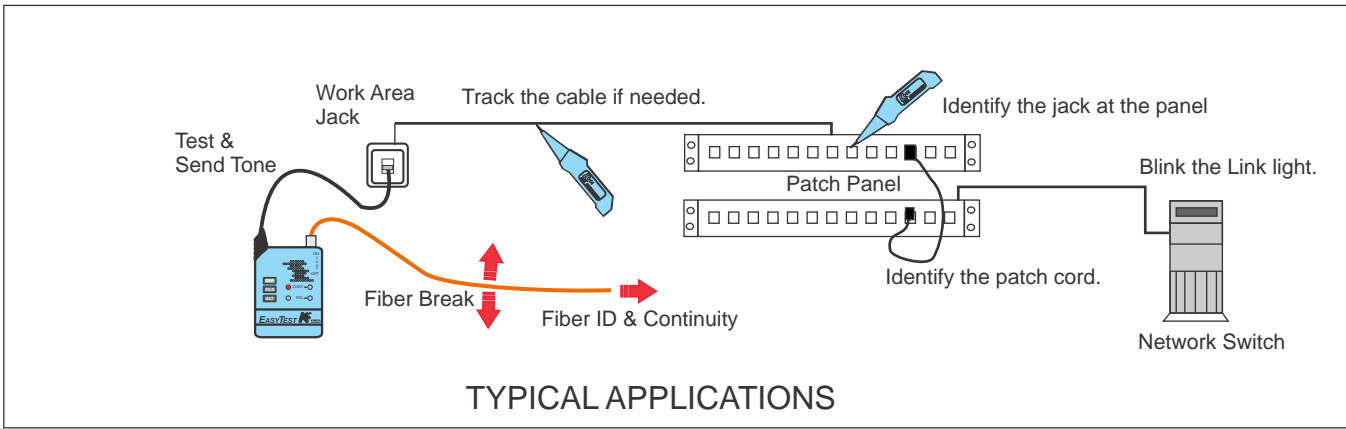
KE801 KIT

Including KE800 Tester and KE310 Probe



2 Year Warranty
Ans Garantie
Años Garantía

WWW.KURTHELECTRONIC.COM



Specifications

KE800 TEST UNIT

Heavy duty ABS weather-resistant design with silicone rubber control keys and hi-rel switches.

Strain-relieved test connections: Two 10-inch (25 cm) leads with bed-of-nails clips and cords with snag-proof RJ11 and RJ45 modular plugs.

Built-in F-type connector for use with coax.

Link Blink for tracking jacks back to a LAN switch.

Four selectable precise trace tones generated: 577 Hz, 2600 Hz, 880/1000 Hz or 1900/2600 Hz.

Tracing tone power output: +10 dBm (600 mW), +9 dBm (100 mW), +7.5 dBm (75 mW)

Transmit range: typically 10 miles on an open pair.

Visual Fault Locator: 10 km range. 650 nm output at up to 0 dBm. ANSI Class 2 safety laser source.

Low battery indication: 100 ms winks of Tone LED

Constant tone transmit or auto shutoff at 45 minutes. 200 ms wink of Tone LED when shutoff is selected.

Power source: one 9V alkaline battery, typical life 100 h.

Dimensions: 2.68 x 3.75 x 1.0 inches
Weight: 2.4 ounces (without battery)

KE310 PROBE

Heavy duty ABS weather-resistant design with silicone rubber control keys and hi-rel switches.

Headlight with true-color white LED.

LED signal strength indicators: green for 577 Hz signals.

Dimensions: 8.7 x 1.57/1.34 x 1.0 inches

Product design and specifications subject to change without notice.

Part Number	Description
0.49562	Digital Test and Trace Kit with Fiber-optic VFL
1400070	1.25 mm Ferrule Adapter for Fiber
0.49600	Earpiece for PE310 Probe
0.57773-VPE	Three Replacement Tips

Kurth Electronic, Inc.

Phone 877 234-7081 Fax 877 234-7080

www.kurthelectronic.com info@kurthelectronic.com

Copyright © 2012 Kurth Electronic KE801 Rev G